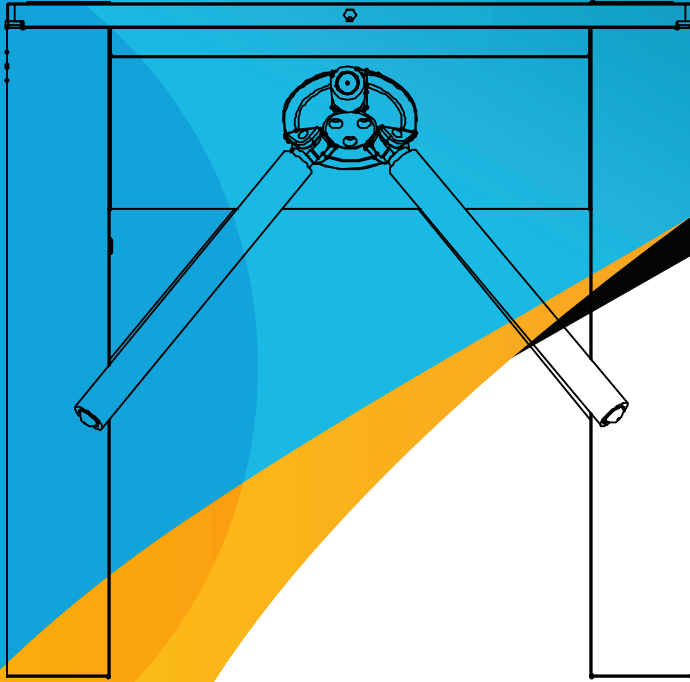


# Perkotek


*"Everything is under control"*



## AVAX<sup>®</sup> com.tr

**D200 Drop Arm / Double  
Tripod Turnstile**

**PERKOTEK TEKNOLOJI A.S.**

 Mahmutbey Mah. Ordu Cad. No:29 Perkotek Plaza/Bagcilar/Istanbul

 [www.perkotek.com](http://www.perkotek.com)  [sales@perkotek.com](mailto:sales@perkotek.com)  0 850 811 8000

## Avax D200 Drop Arm / Double Tripod Turnstile

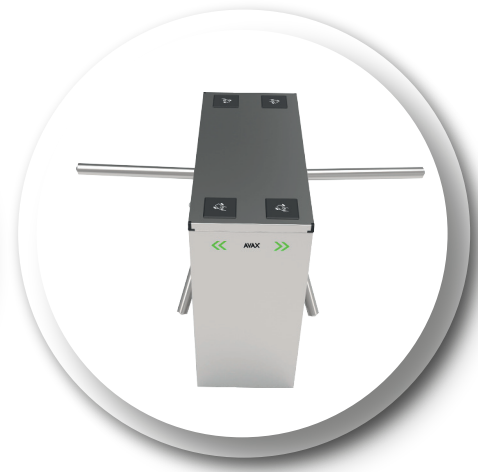
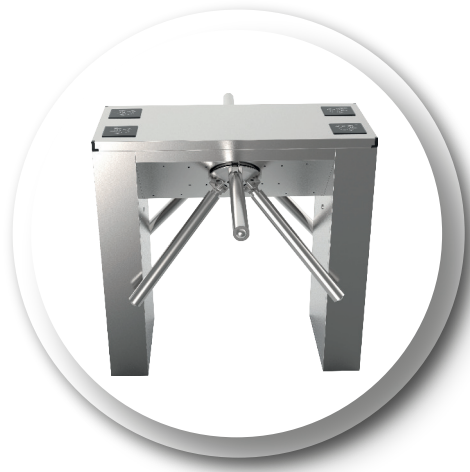


Avax D200 Drop Arm Turnstile allows both entry and exit at the same time. Thanks to the Emergency Dropping Arm feature available in both directions, it provides fast and safe evacuation by going down in the event of a power failure, signal from the fire alarm system or emergency situations. With the Emergency Button connection you can release all passes. Button connection can be made for guest or VIP passes. By connecting the counter on the turnstile, the total number of passes per day can be obtained.

Devices such as fingerprint, face recognition, card reader can be connected to the entrance and exit sides and can run in harmony with the cafeteria, access control, pdks programmes

The card reading device is built in to the internal reading sections on the turnstile for having an ergonomic and stylish appearance.

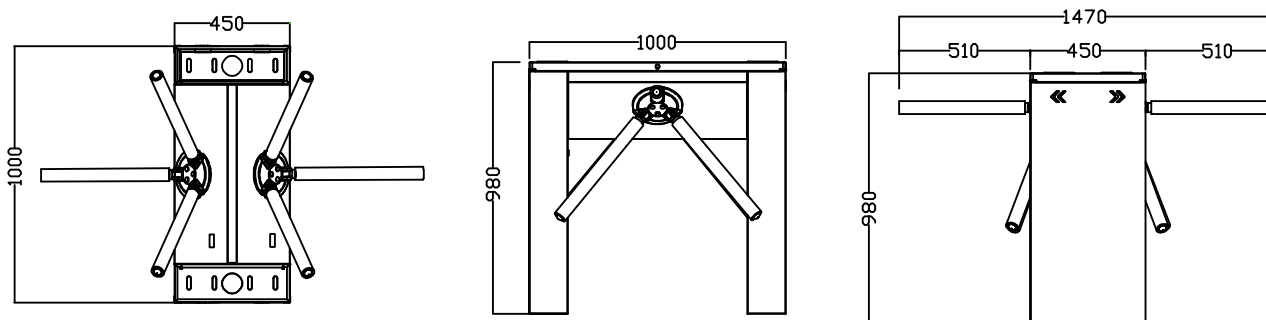
It runs fully compatible with all Face recognition, Fingerprint recognition, Card recognition and Password devices with short circuit (Dry contact) feature .



## Technical Specifications

Casing / Body	AISI 304 quality stainless steel
Arms	AISI 304 quality stainless steel
Passing Distance	50-55cm
Tripod Lockout	Allows passage only when the solenoid is pulled
Emergency Dropping Arm	It provides rapid evacuation by going down in case of power failure, signal from the fire alarm system or emergency
Direction of passing	It can be adjusted as Entry only, Exit only, or passing from both directions as desired
Passing Time	Adjustable as required
Warning for pass	Provides visual and audible warnings
Passing Information	NC: Normally closed or NO: Normally open
Passing Speed	~ 70 people / minute
Passing Control	When one direction of rotation starts, the reverse direction is prevented and cannot be reversed after half rotation occurs.
Operating voltage	100/240 V
Power consumption	35 W
Frequency	50-60 Hz
Area of Use	Indoor and Outdoor
Operating temperature	-25 to +70 Degrees
Test Result	Tested 3 Million passes
Weight	Approx. 52 kg
Installed Dimensions	980x450 x 1000 mm (without arms)
Access Control	It can run together as combined with Fingerprint, face recognition, vein recognition and card readers by receiving the signal.
Certifications	ISO, CE and Warranty certificate

## Technical Drawing

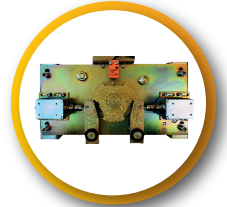


## Benefits



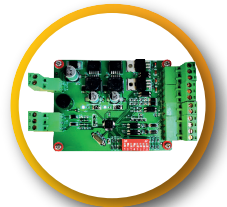
Arms with inner and outer parts are made of 304 quality stainless steel and are durable and long lasting.

Patented lubrication system minimizes the need for maintenance.



In case of power failure and emergency, the arm will automatically drop down, allowing you to switch quickly and without obstacles.

It has high quality PCB and electronic components. Runs without being affected by environmental electro-magnetic noise



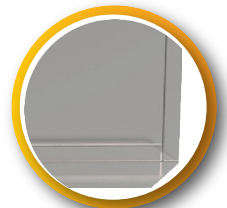
Ergonomic plexy design facilitates face recognition, fingerprint reader and card reader installation.

It eliminates confusion by guiding with bright LED signs in the direction of passing



Ideal design for indoor and outdoor use.

Since it can be mounted at two points on the ground, turnstile runs without shaking during the passes.



## Usage areas

- ✓ Factories
- ✓ Airports
- ✓ Public institutions
- ✓ Plazas
- ✓ Smart Buildings
- ✓ Hospitals
- ✓ Logistics Areas
- ✓ Chain Stores
- ✓ Residences
- ✓ Dams
- ✓ Business centers
- ✓ Academies
- ✓ Hotels
- ✓ Military Areas
- ✓ Shopping malls
- ✓ Dining Halls
- ✓ Gyms
- ✓ Activity Areas
- ✓ Fair Entries
- ✓ Public Transport Stations